

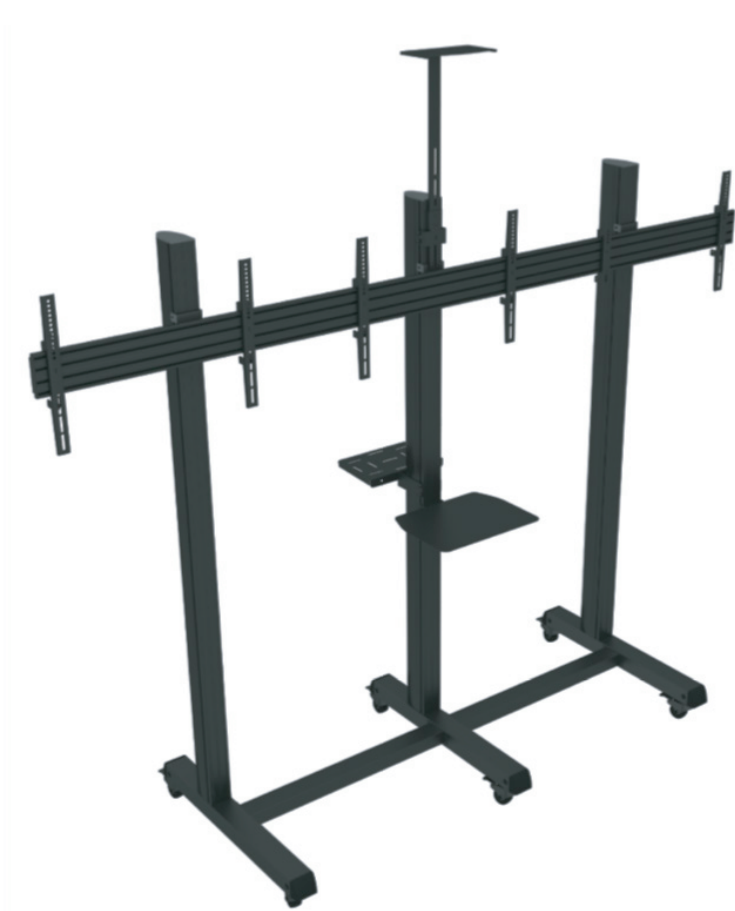


# Wizyconf

The first professional easy-to-use web conference

## Wizyconf-Stand

### Installation Guide

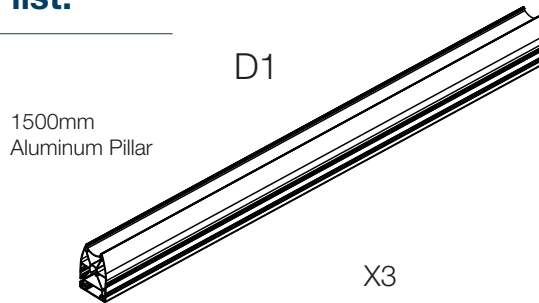


Supports 42" to 65" screen sizes  
Max load capacity: 66 lbs/ 30 kg per screen

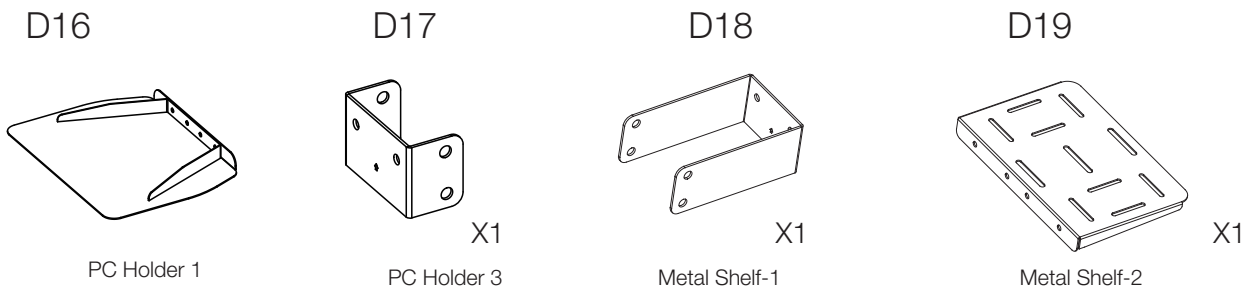
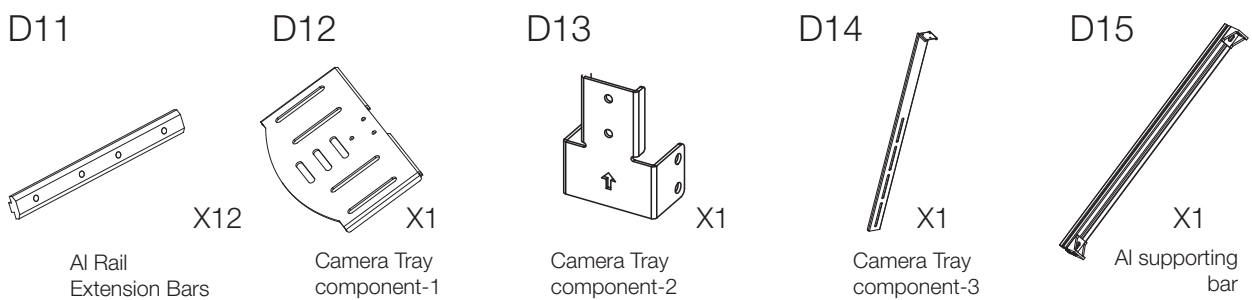
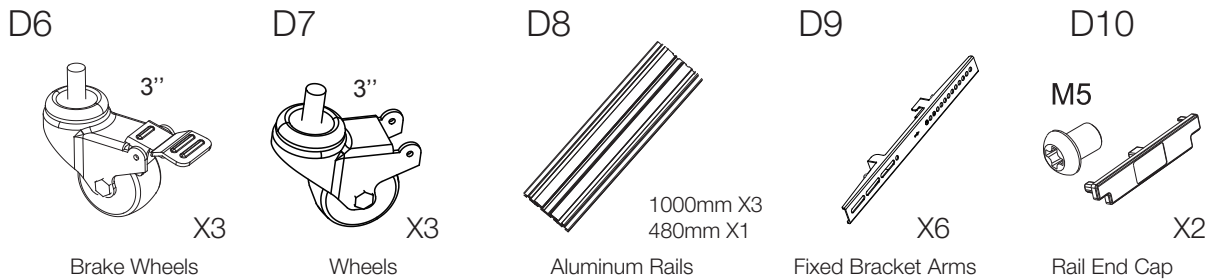
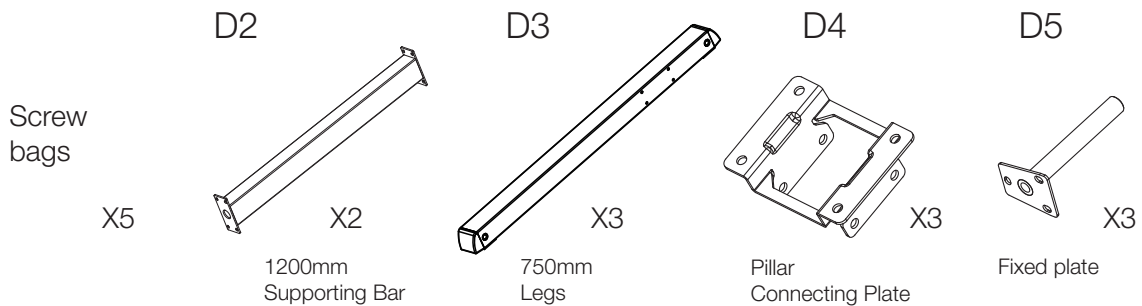
VESA 100 x 100 mm/ 400 x 400 mm compatible



**Package A Packing list:**



**Package B Packing list:**

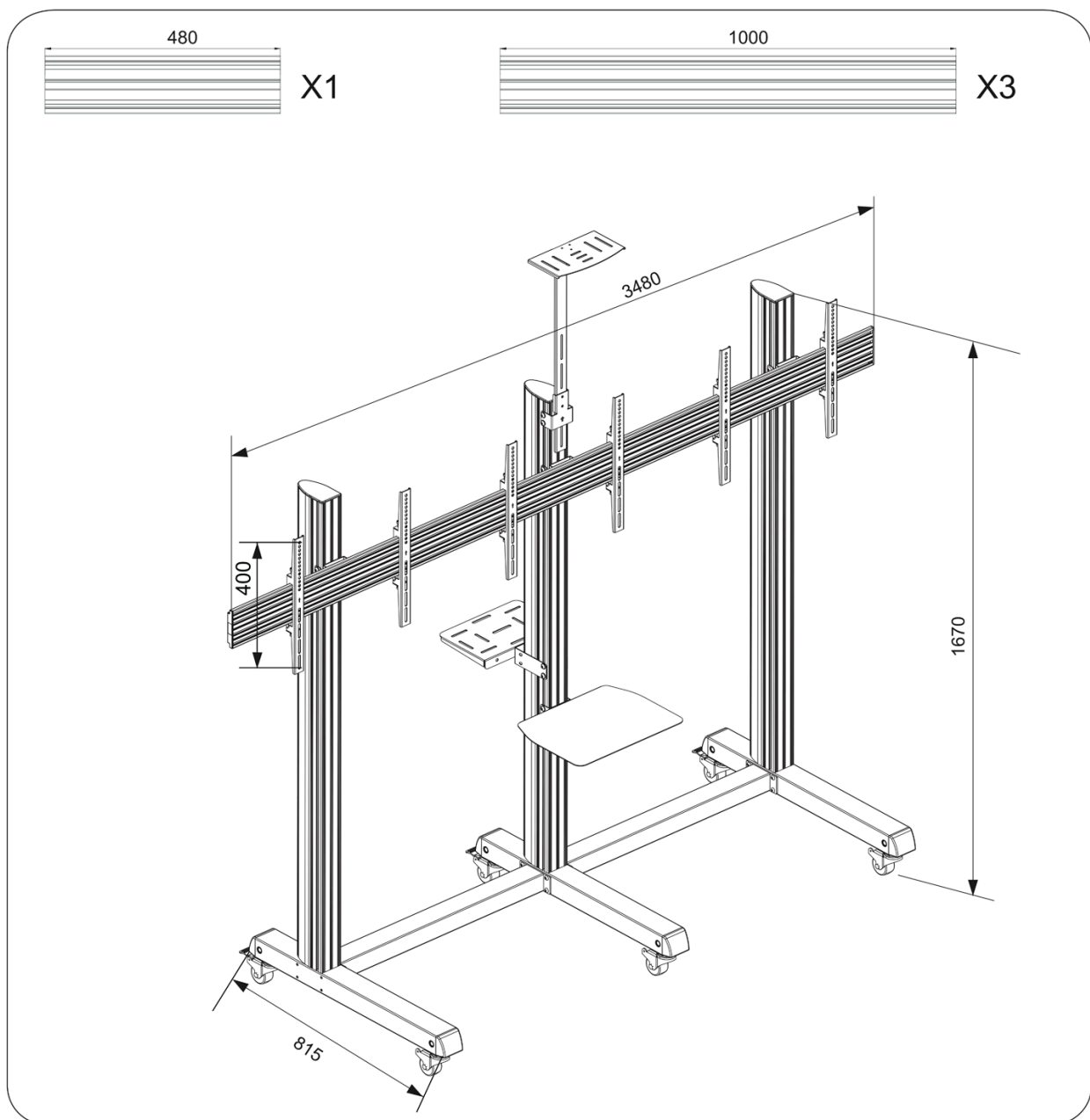




### Warning

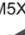

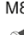
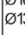
- Please read this manual carefully before starting your installation.
- This product should be installed by someone who has a basic knowledge of building construction, installations and who fully understands these instructions.
- Always have someone assist you to lift and position the equipment.
- Tighten screws and bolts firmly, but do not over-tighten. Over-tightening may damage the items and greatly reduce their ability to hold. Please refer to the torque values suggested in these instructions, where applicable.

### Dimensions:

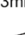



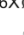






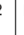


**Parts list:**

A1	A2	A3	A4
M5X25 	M6X25 	M8X25 	Ø16XØ6.2X1.5 Ø13XØ8.2X5 
X4	X4	X4	X4 X4

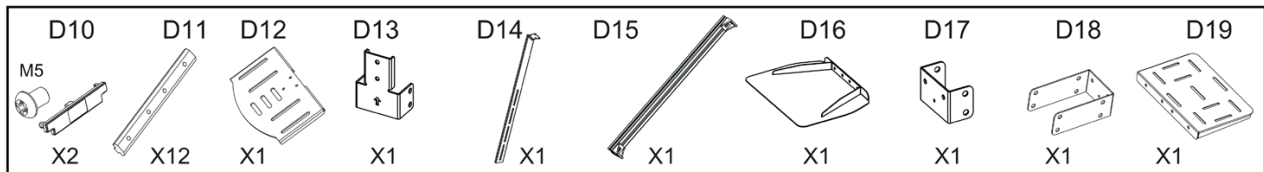
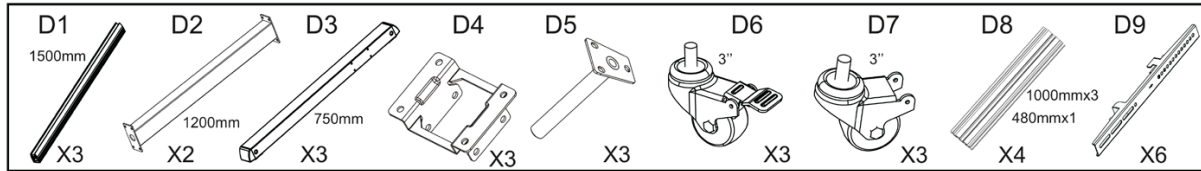
X3

B1	B2	B3	B4	B5	B6
3mm 	5mm 	6mm 	Ø16XØ8.2X1.5 	M8X12 	M8 
X1	X1	X1	X46	X46	X40

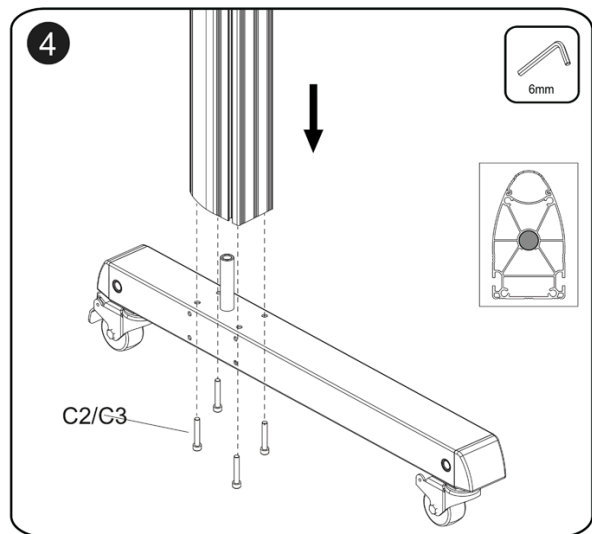
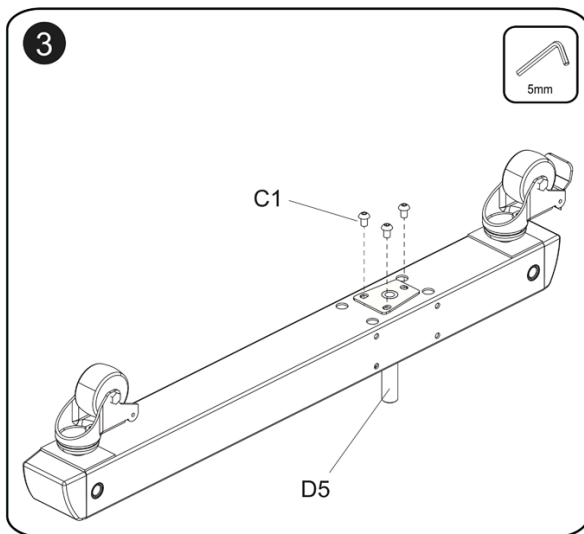
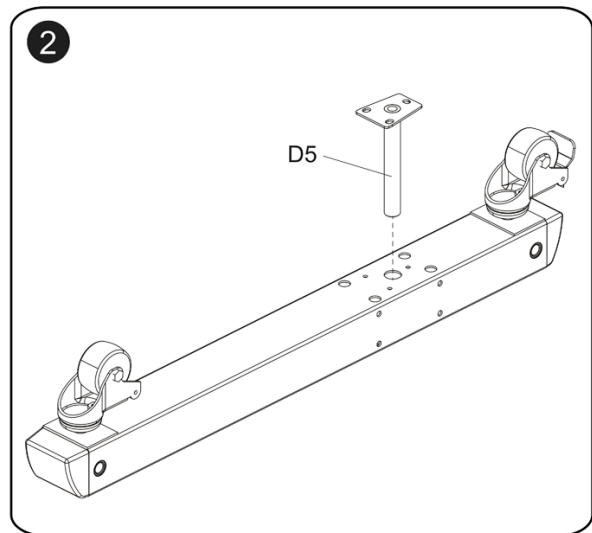
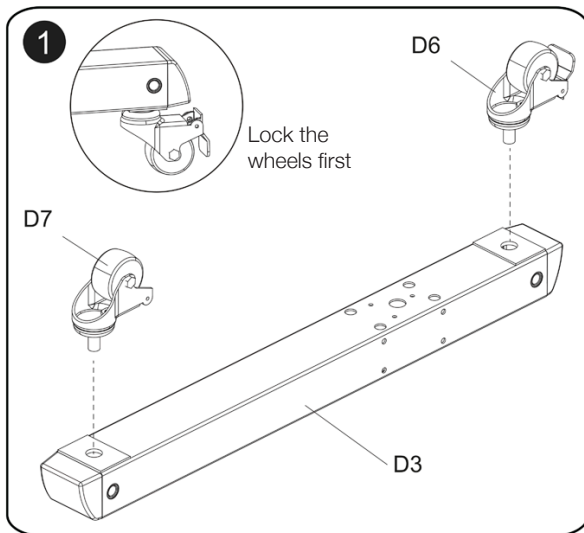
X1

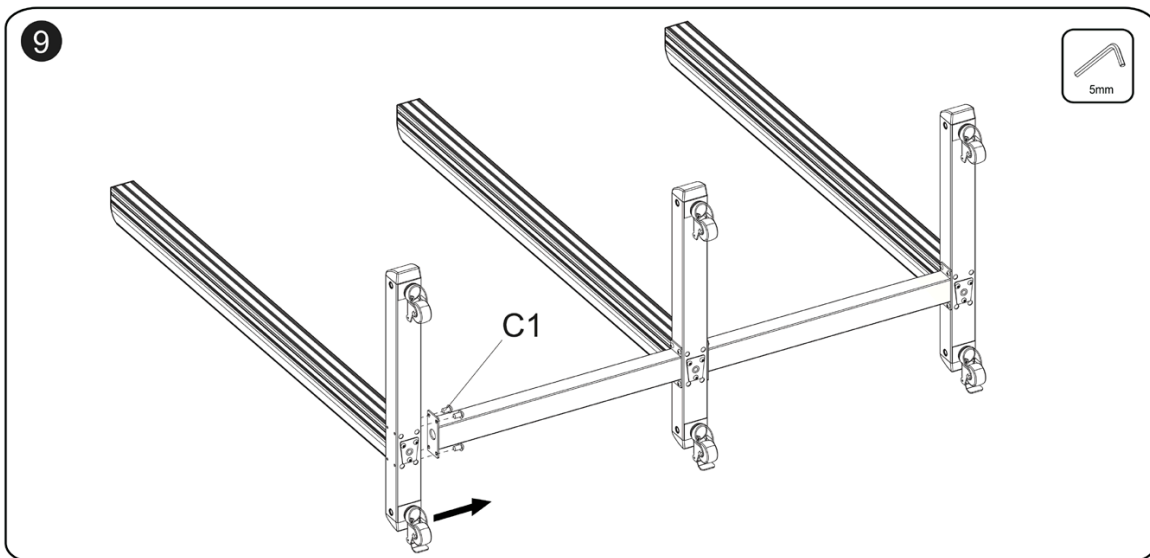
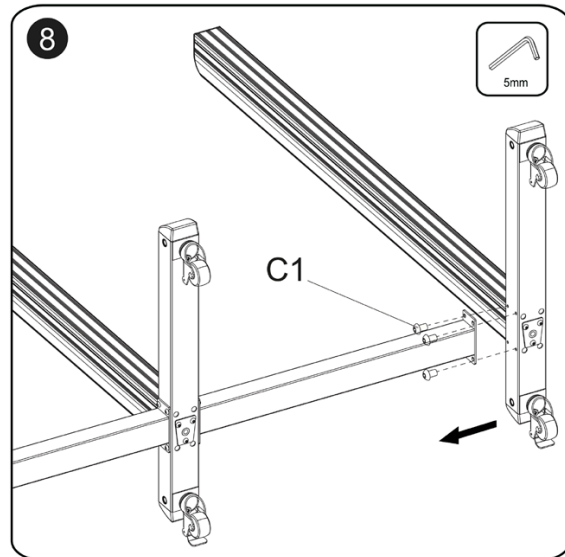
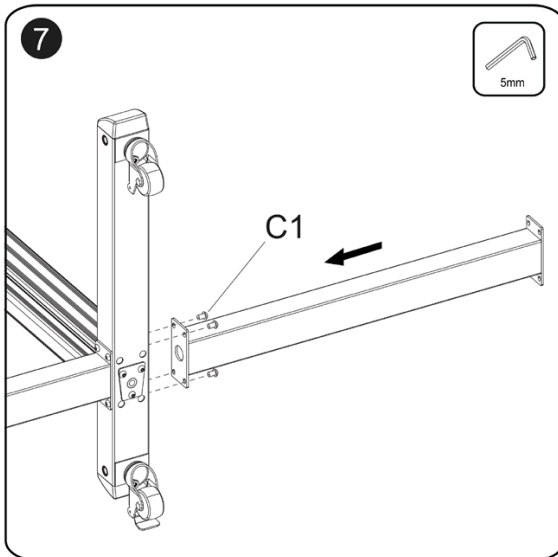
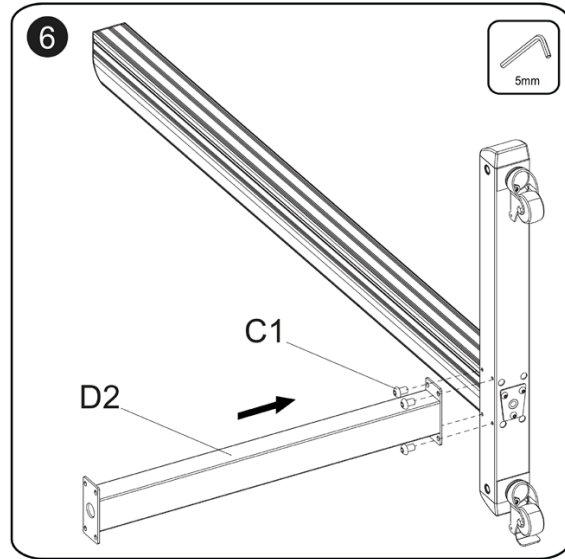
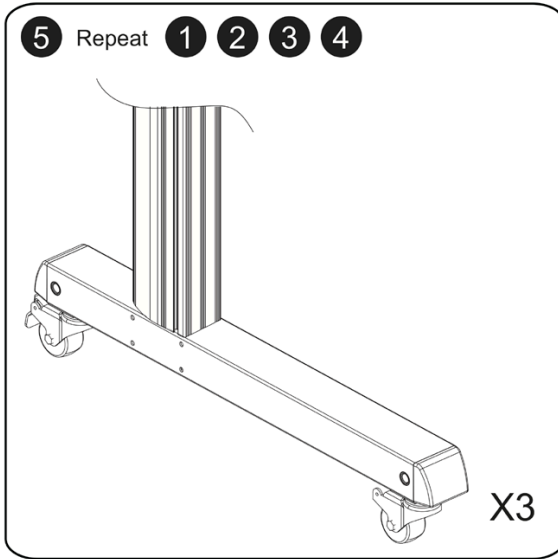
C1	C2	C3	C4
M8X12 	M8X45 	M8X45 	
X25	X6	X6	X8

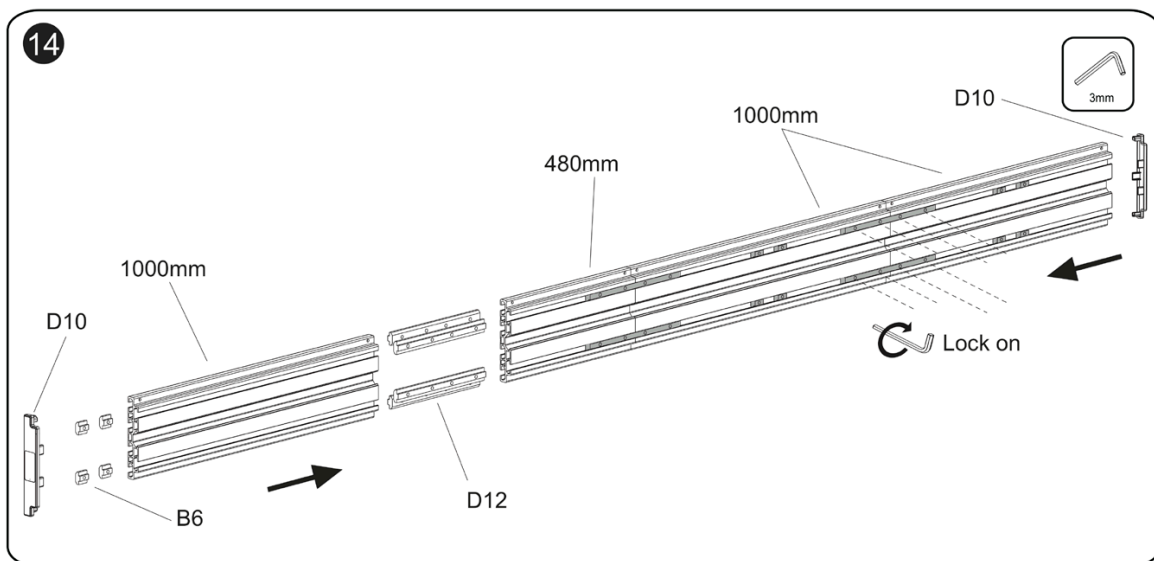
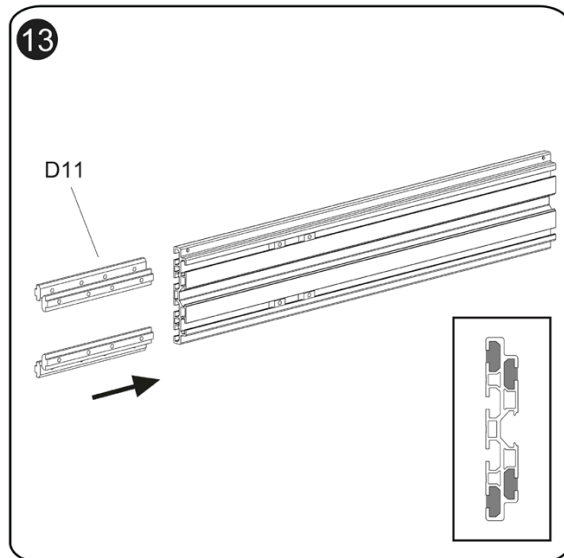
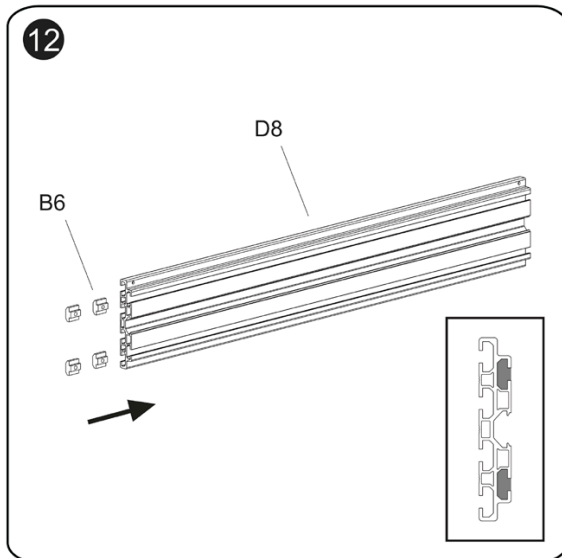
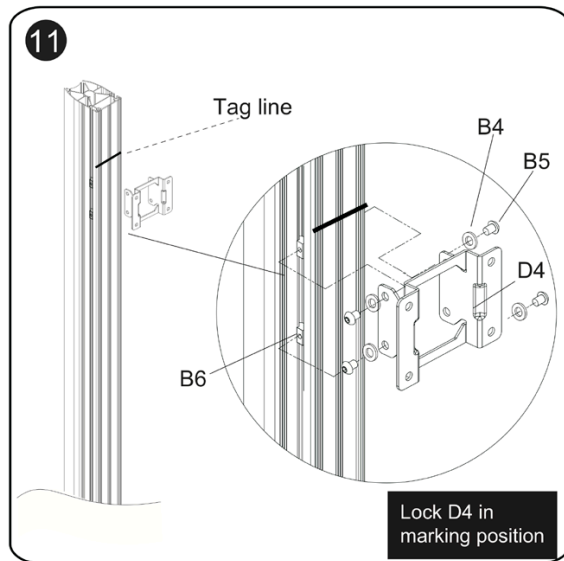
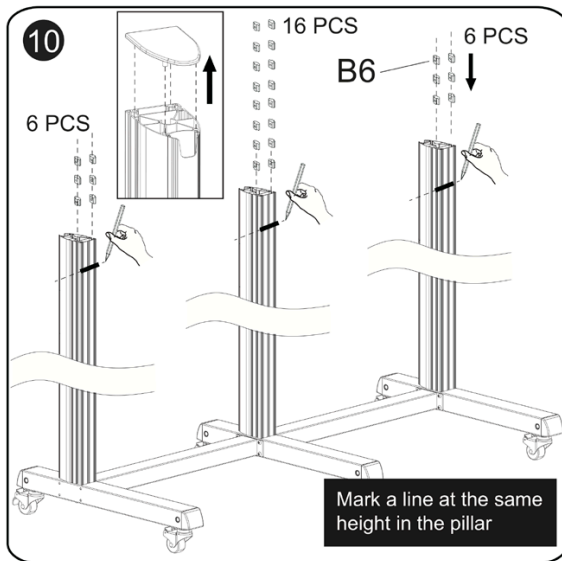
X1

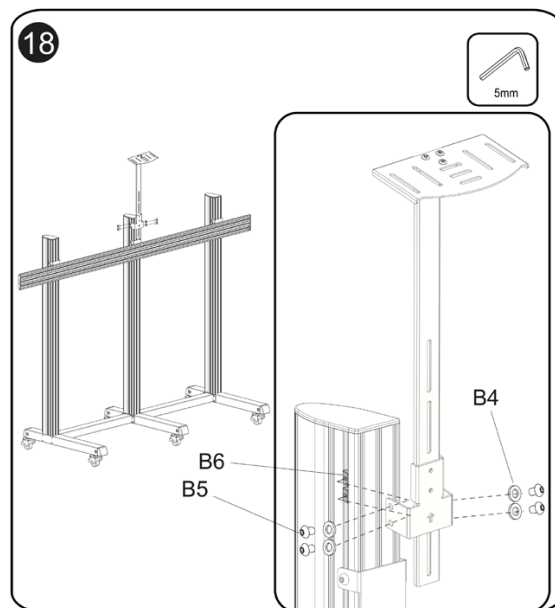
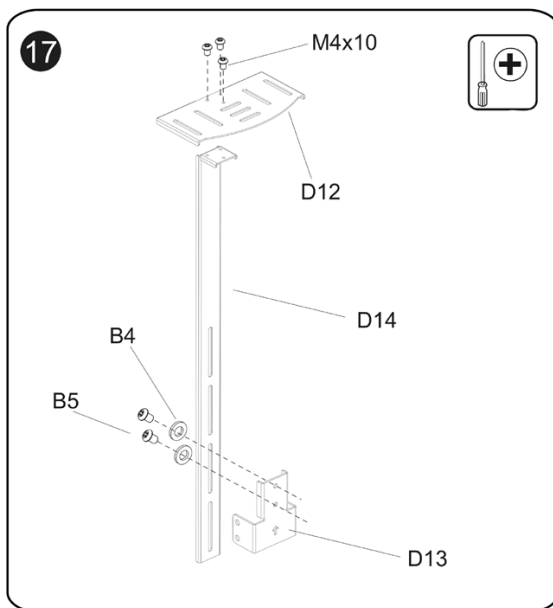
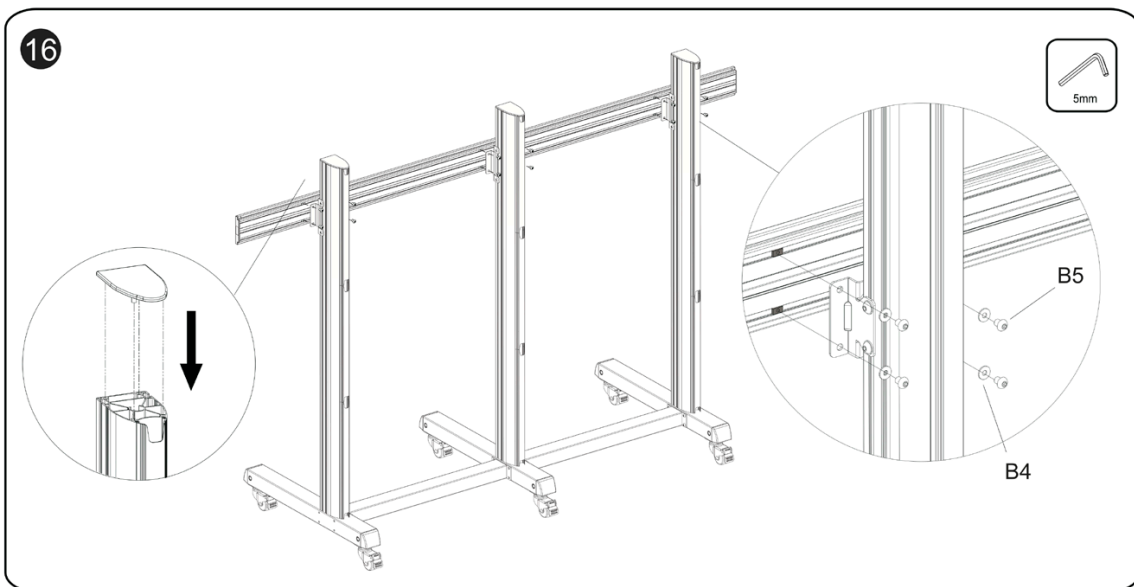
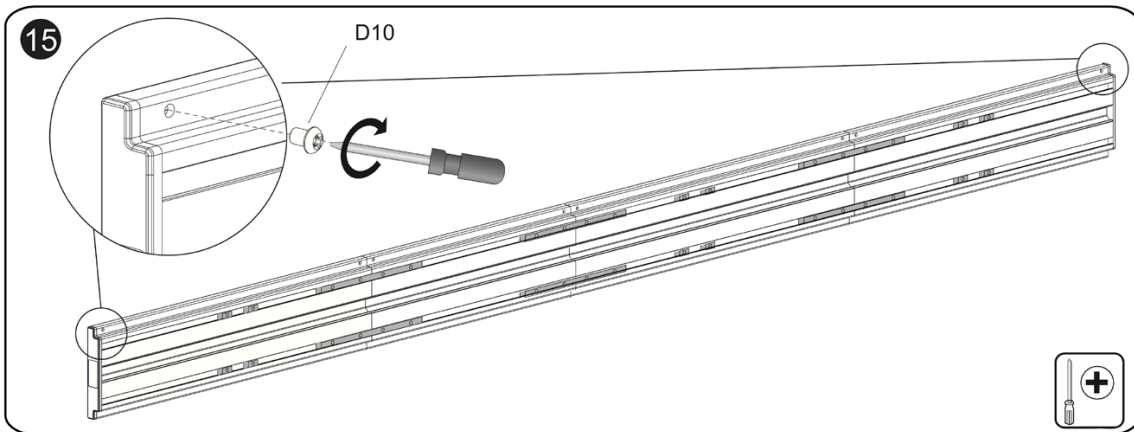


**Installation:**

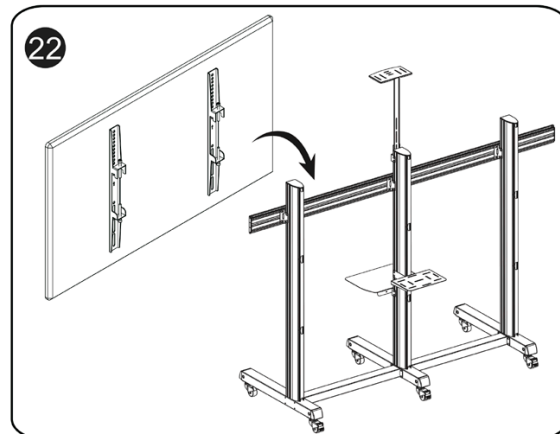
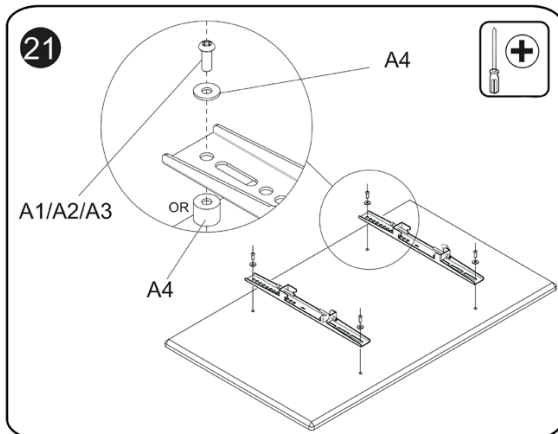
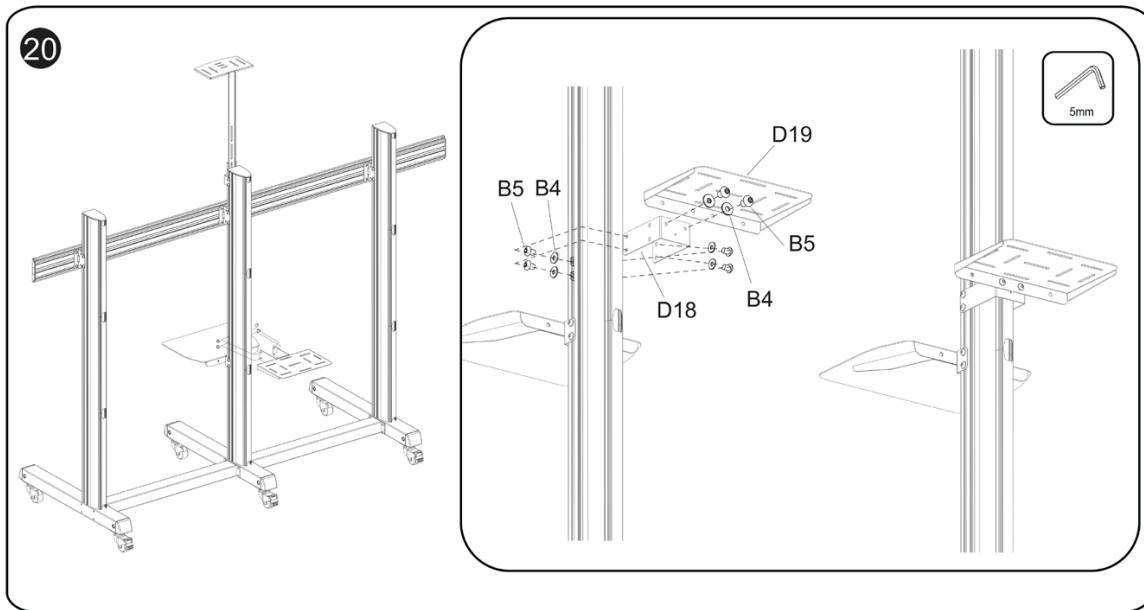
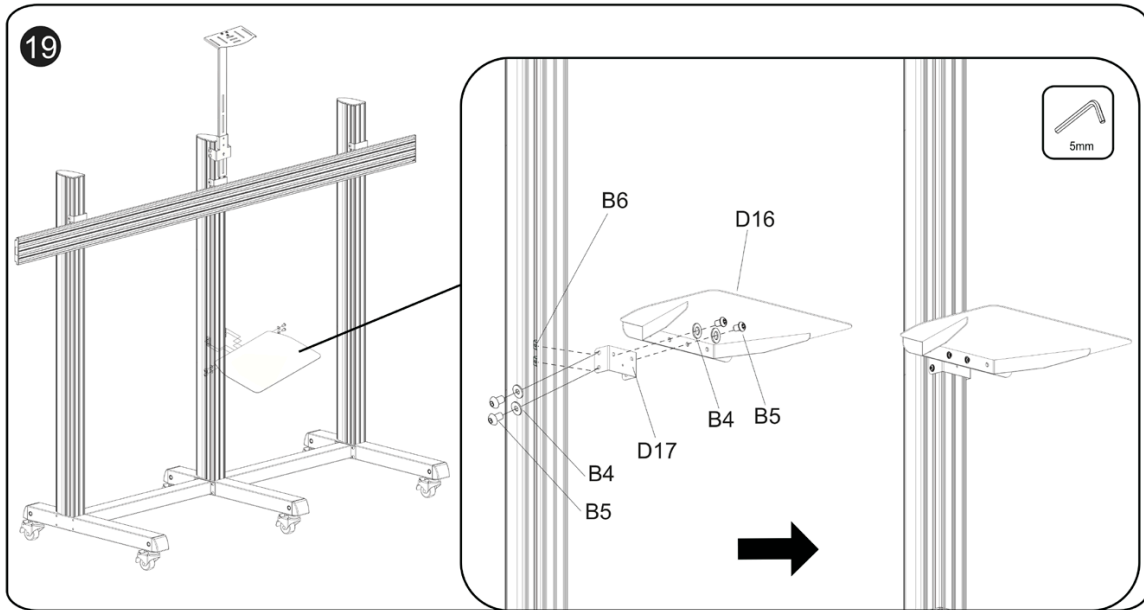








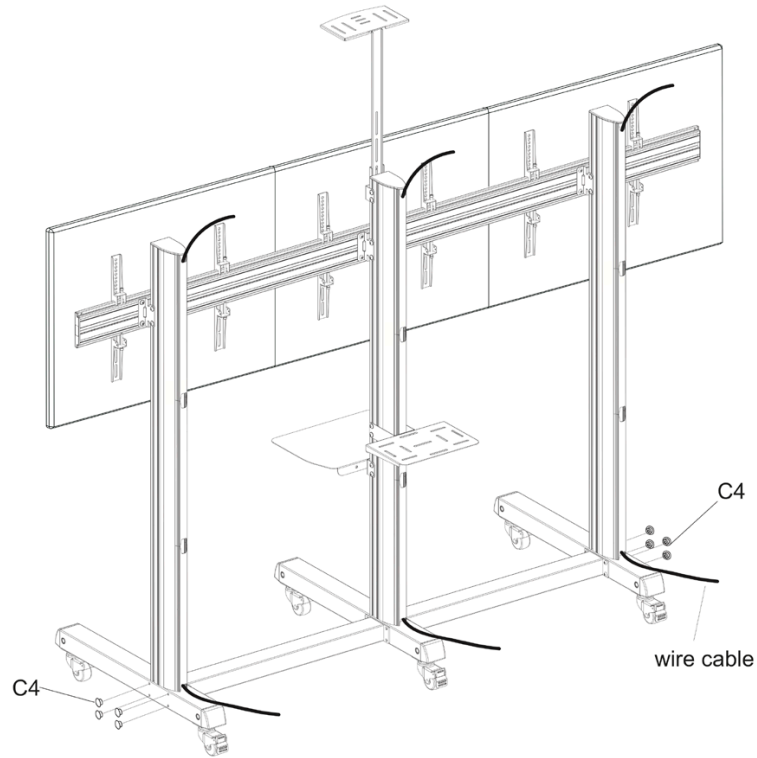




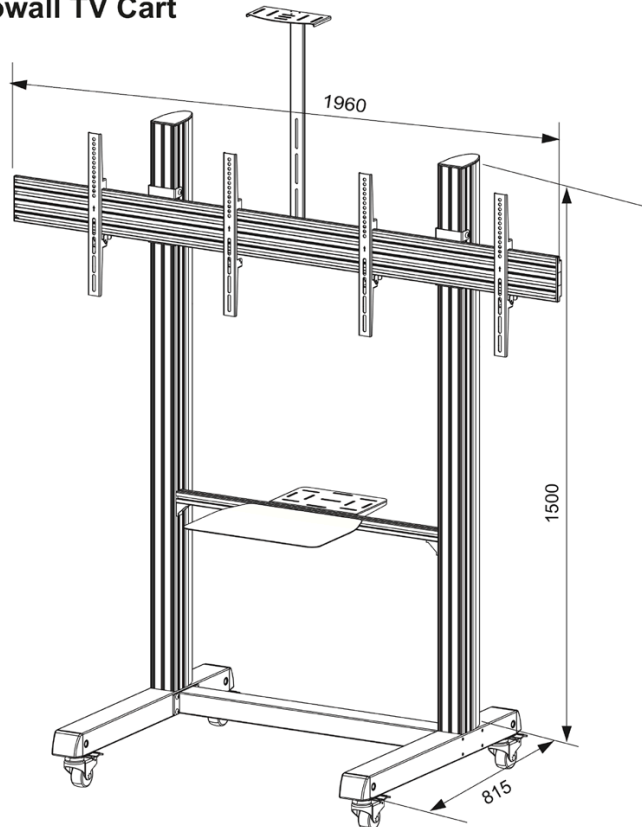


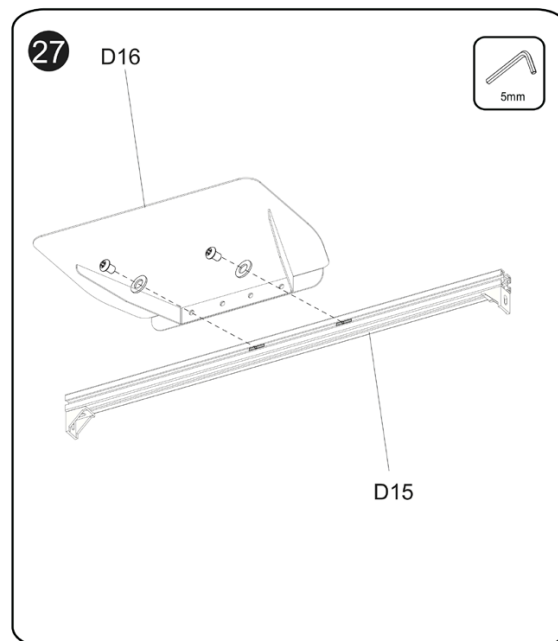
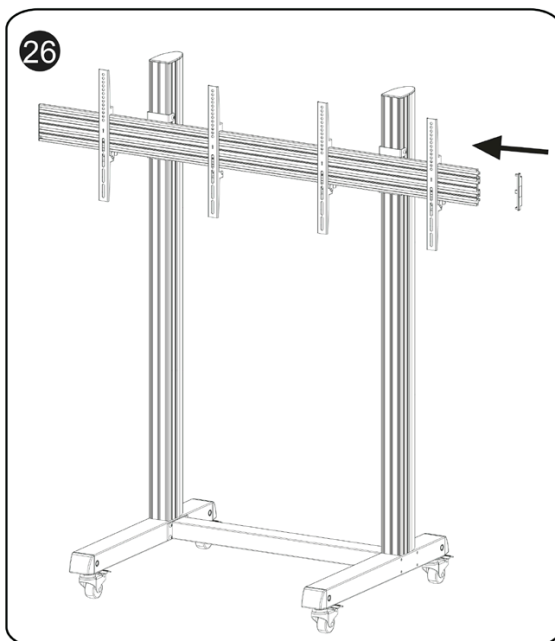
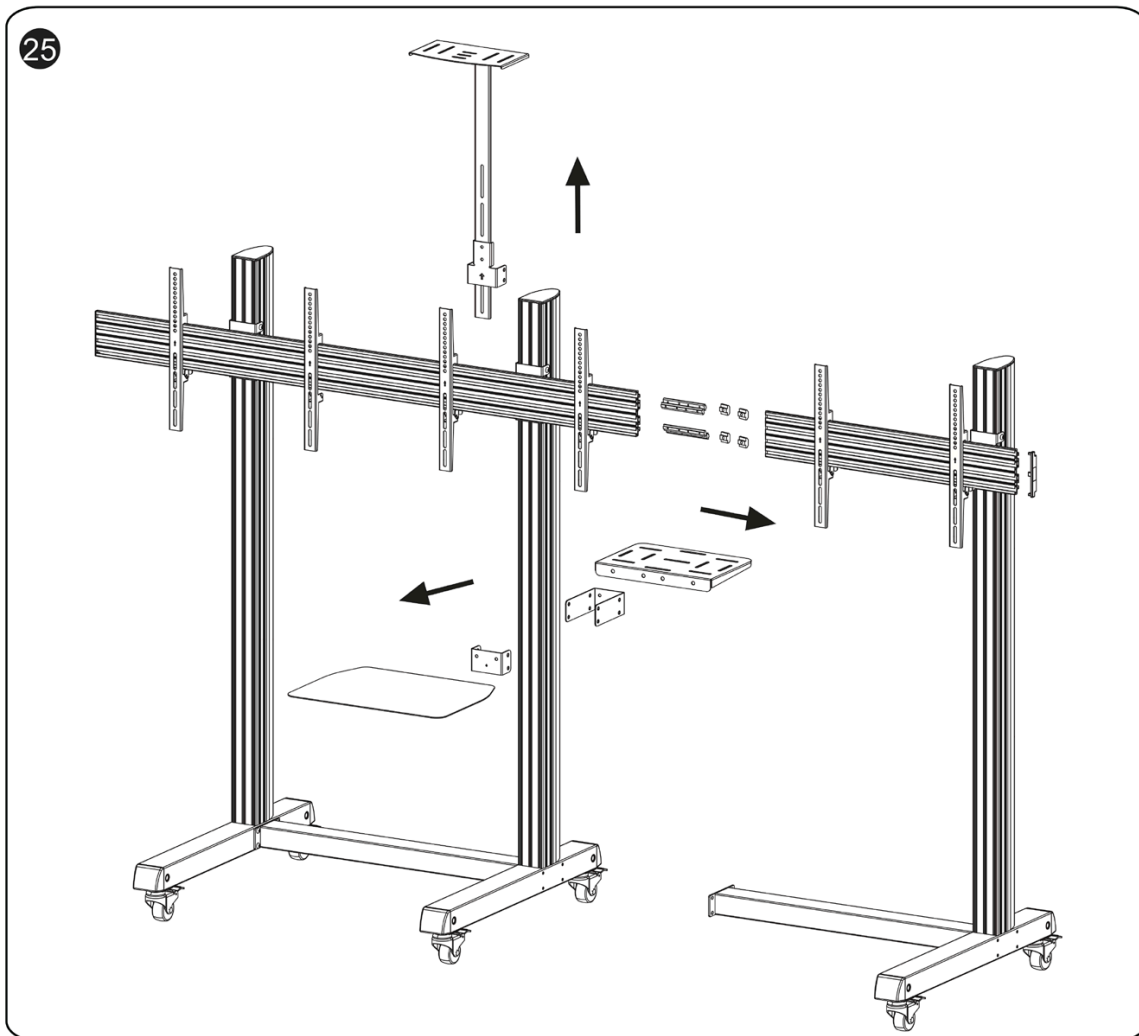


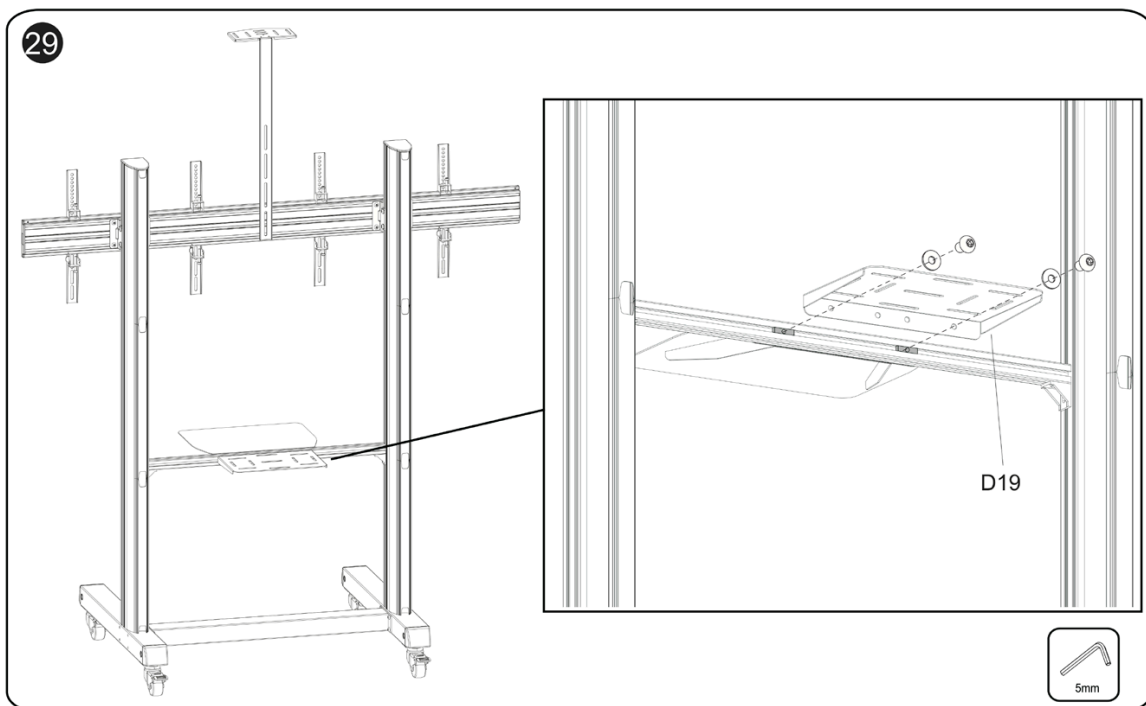
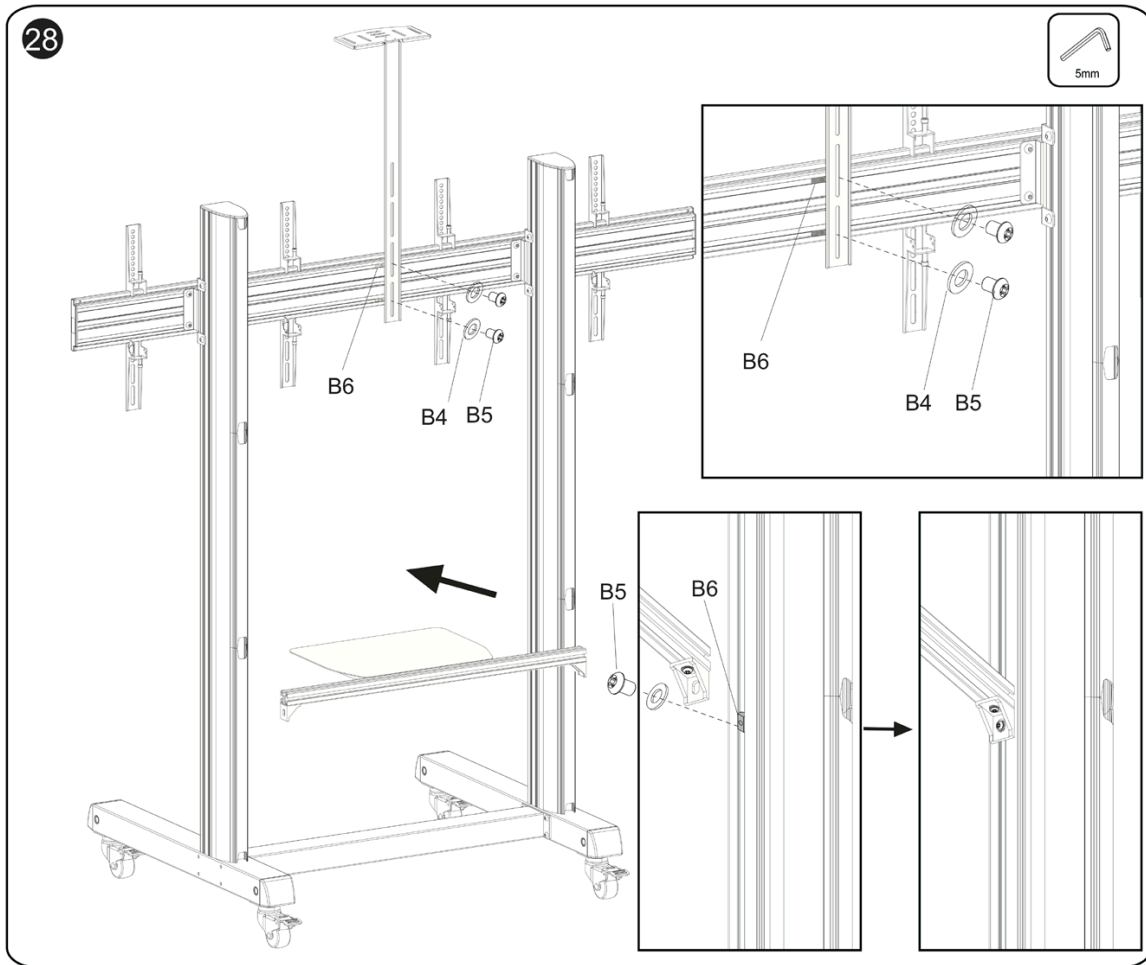
23



24 FS2B1 Videowall TV Cart









30

